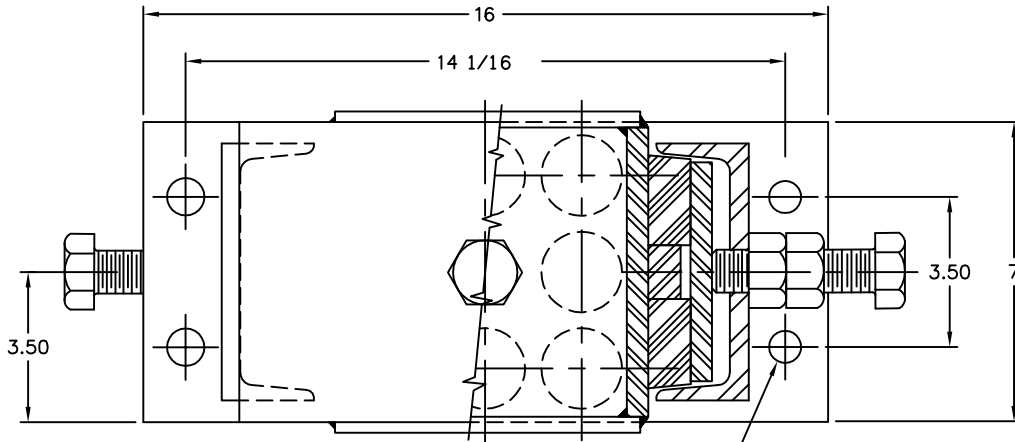


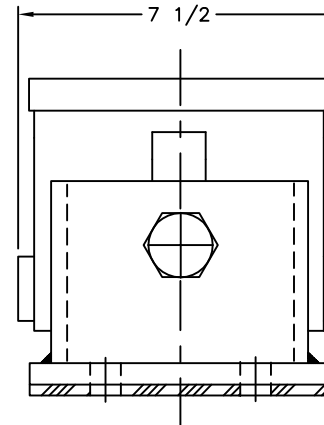
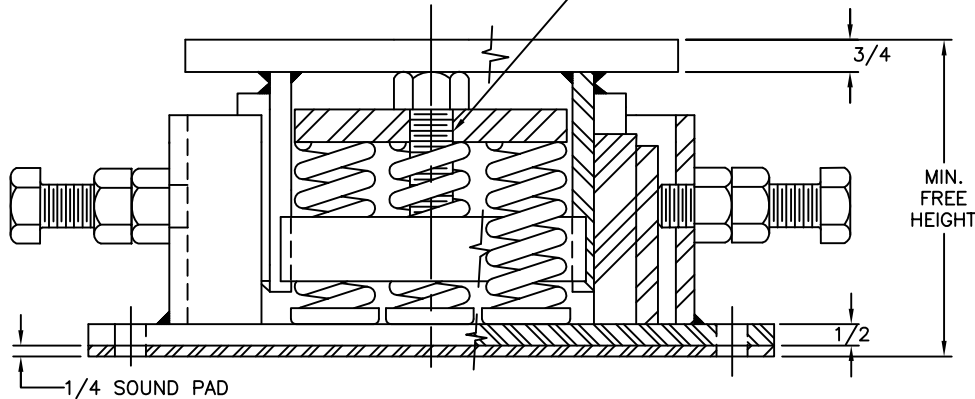
REV.	DESCRIPTION	DATE	BY



PART NUMBER	ISOLATOR MODEL	MAX. STEADY (LBS)	MAX. IMPACT (LBS)	ISOLATOR CONSTANT (LBS)	MIN. FREE HEIGHT	COLOR CODE
606766-51	SIGY-51	1125	△	563	8	ORANGE
606766-52	SIGY-52	1800	△	1080		BROWN
606766-53	SIGY-53	2700	△	1710		BLACK
606766-54	SIGY-54	4500	△	3105		GREEN
606766-55	SIGY-55	6300	△	5040	6 3/4	BLUE
606766-56	SIGY-56	10800	△	14850		PURPLE
606766-45	SIGY-45	2925	2340	3960		BROWN
606766-46	SIGY-46	4000	3200	7200		RED
606766-47	SIGY-47	5400	4320	11025	7	PURPLE
606766-57	SIGY-57	9900	7425	19160		BLUE
606766-68	SIGY-68	11700	11025	23850		GREEN

∅.750 HOLE, 4 PLCS IN BASE PLATE

∅ 1" ADJUSTING STUD



NOTES:

- ALL DIMENSIONS ARE IN INCHES, INTERPRET PER ANSI Y14
  - STANDARD FINISH: CONTACT VMC FOR ADDITIONAL AVAILABILITY
    - A. STEEL WELDMENTS: STANDARD VMC COLOR
    - B. SPRING: POWDER COATED
    - C. HARDWARE: ELECTRO-ZINC PLATED
- △ENGINEER REVIEW

OTHER MATERIALS, COMPOUNDS, OR FINISHES WITH EQUAL OR SUPERIOR PROPERTIES MAY BE SUBSTITUTED AS THEY BECOME AVAILABLE.

**CERTIFIED FOR:**

JOB NAME: \_\_\_\_\_  
 CUSTOMER : \_\_\_\_\_  
 CUSTOMER P.O.: \_\_\_\_\_  
 SALES ORDER: \_\_\_\_\_

**MODEL SIGY 1125-11700 LBS.  
 SPRING ISOLATOR WITH  
 ADJUSTABLE SNUBBER**



**THE VMC GROUP**  
*The Power of Together*  
 Bloomingdale, NJ 07403  
 Houston, TX 77041

SCALE :

NONE

SHEET:



DRAWING NO.:

REVISION